

**WorkiMed Light Cart for Monitoring with 5" Quick Release Plate Station 2**



This medical monitoring cart with a 5" quick-change plate is made of light and robust aluminium and allows for stable and intensive movement without straining the monitoring.

On the back of the column of this medical trolley a carrying handle and a cable hook are fixed along the column.

All along the column, other optional accessories can be attached according to the user's needs.

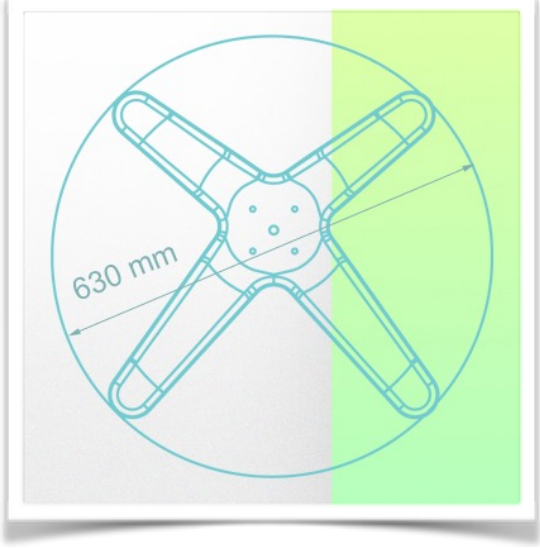
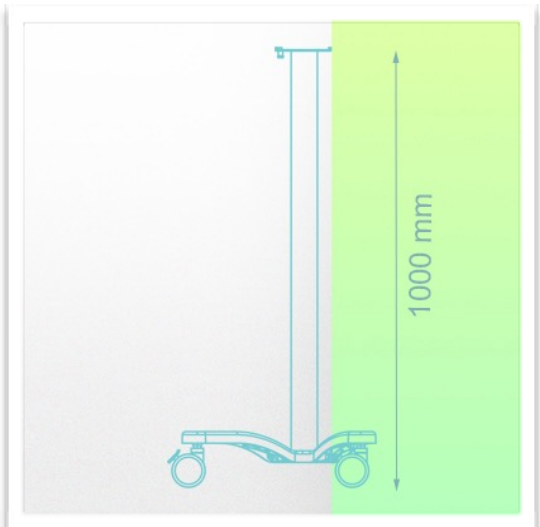
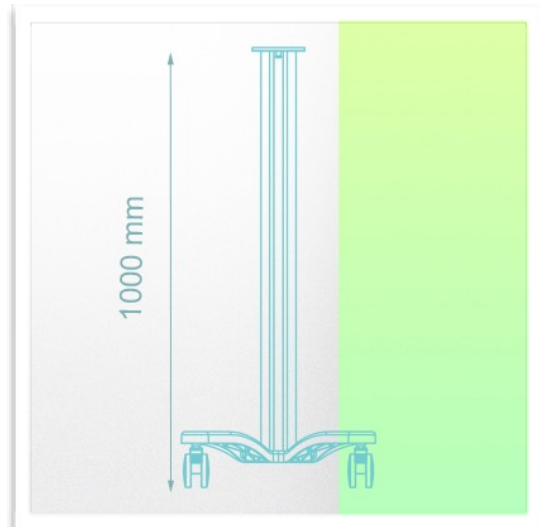
The new medical trolley is equipped with comfortable, anti-static CE wheels, which can be manoeuvred effortlessly by nursing staff at the point of care. The wheels have a diameter of 100 mm and are all equipped with a foot brake.

These wheels allow for easy manoeuvring over bumps and imperfections in the floor.

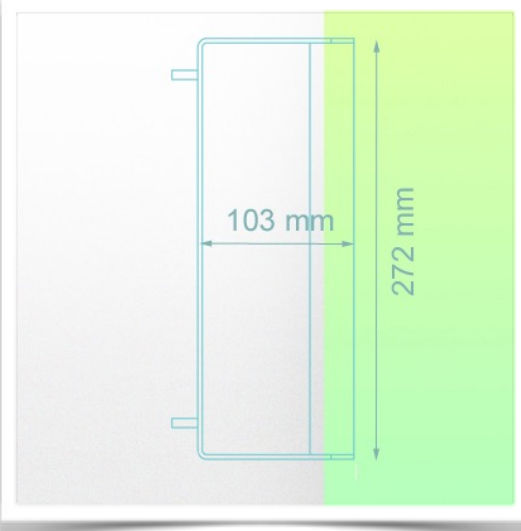
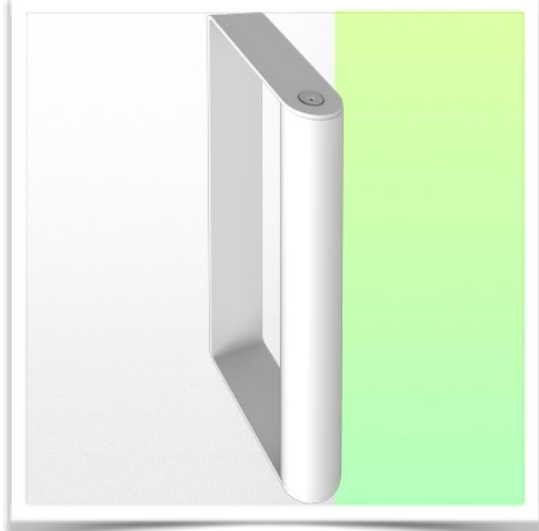
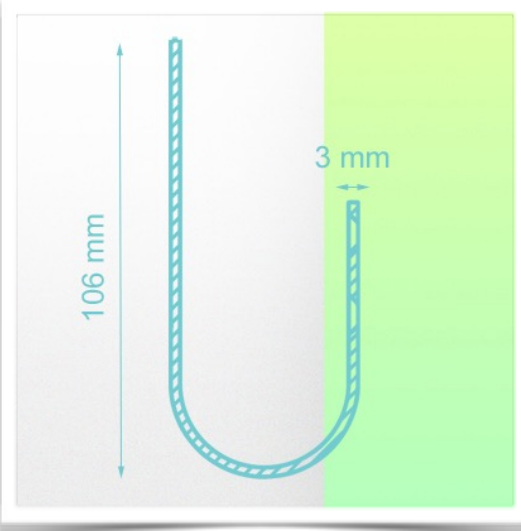
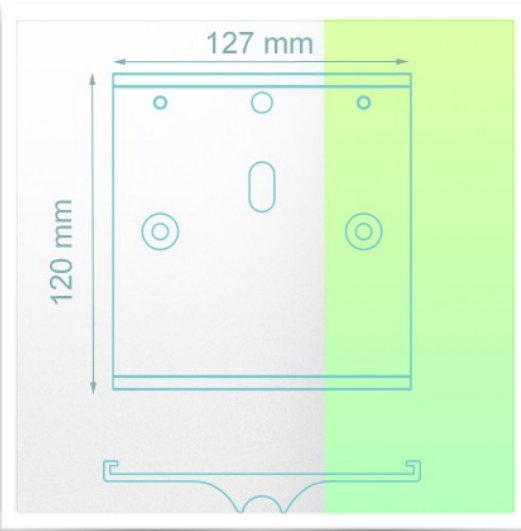
A wide range of accessories allows this computerised medical trolley to evolve according to the specific needs of the user.



**WorkiMed Light Cart for Monitoring with 5" Quick Release Plate Station 2**

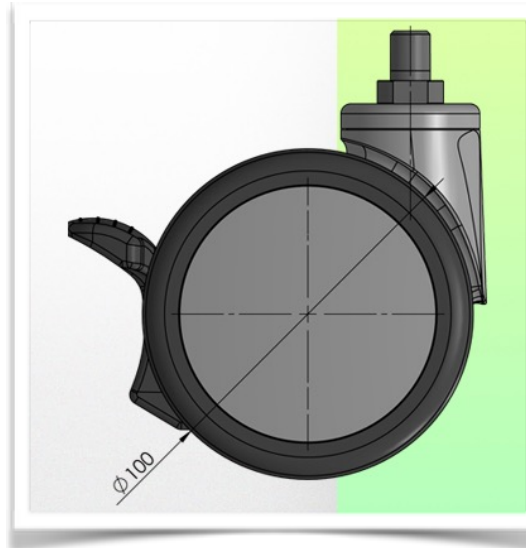
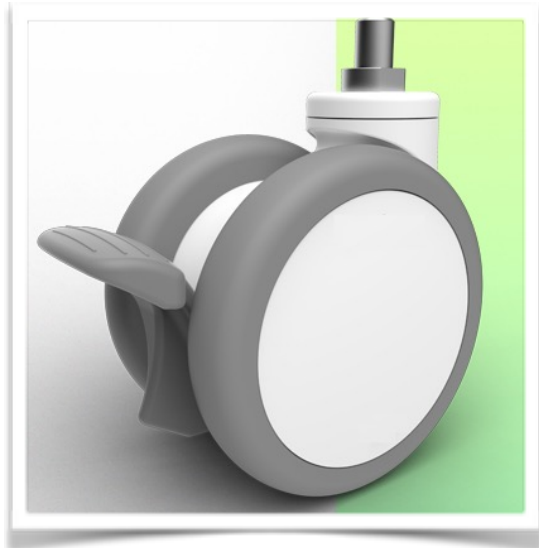


WorkiMed Light Cart for Monitoring with 5" Quick Release Plate Station 2





**WorkiMed Light Cart for Monitoring with 5" Quick Release Plate Station 2**



**WorkiMed Light Cart for Monitoring with 5" Quick Release Plate Station 2**

**Technical specifications:**

- \* \* Column height with base: 1000 mm
  - \* Mounting plate monitoring of 5" Quick release at head of column
  - \* Wheel construction: Polyamide with polyurethane tread.
  - \* Wheels/Lock: 4 locking wheels with brake, 100 mm diameter
  - \* Carrying handle
  - \* Cable hook
  - \* Trolley weight: 12 Kg
  - \* Loading capacity: 20 Kg
  - \* Main assembly: Aluminium
  - \* Base diameter 630 mm
  - \* Colour: Ral 9016 White
  - \* Certificates comply with : IEC60601-1: 2012 (Edition 3)
  - \* CE/Rohs compliant
  - \* Fully recyclable
  - \* 10 year warranty
  - \* Wide range of accessories
  - \* For faster and easier cleaning
  - \* Simple and lightweight design
  - \* Supplied fully assembled with minimal packaging
  - \* Made in Europe (MCC John Gough design and development)
- \* \* We can also make custom-made trolleys according to your needs and in your hospital's colours as an option



**WorkiMed Light Cart for Monitoring with 5" Quick Release Plate Station 2**

**Cleaning procedure**

1. The trolley can be cleaned with most mild, non-abrasive solutions commonly used in hospitals (e.g. dilute bleach, ammonia or alcohol solutions).
2. The surface finish will be permanently damaged by strong chemicals and solvents such as acetone and trichloroethylene.
3. Do not use steel wool or other abrasive materials to clean the mounting assembly.
4. Damage caused by the use of unapproved substances or processes will not be covered by the warranty. We recommend that you test any cleaning solution on a small area that is not visible to check for compatibility.
5. Immediately wipe off any cleaning agent on the arm with a cloth dampened with water.
6. Dry the trolley thoroughly after cleaning.

**CAUTION:** WorkiWay SRL makes no claims regarding the effectiveness of the chemicals or processes listed as a means of infection control.

Consult your hospital infection control officer or epidemiologist. To clean or sterilize mounted instruments or accessories, refer to the specific instructions provided with those products.

