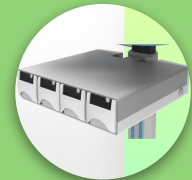
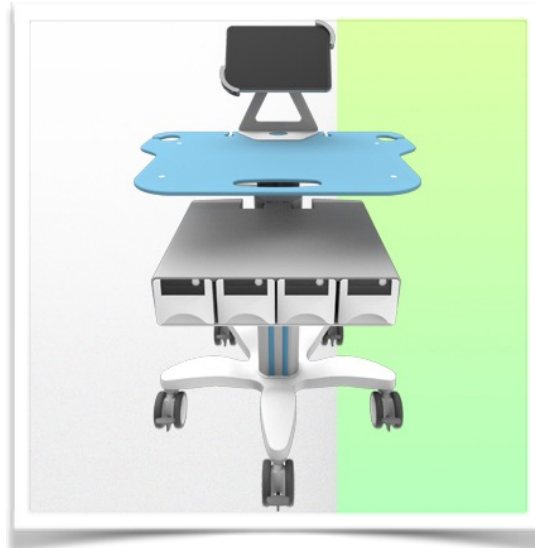
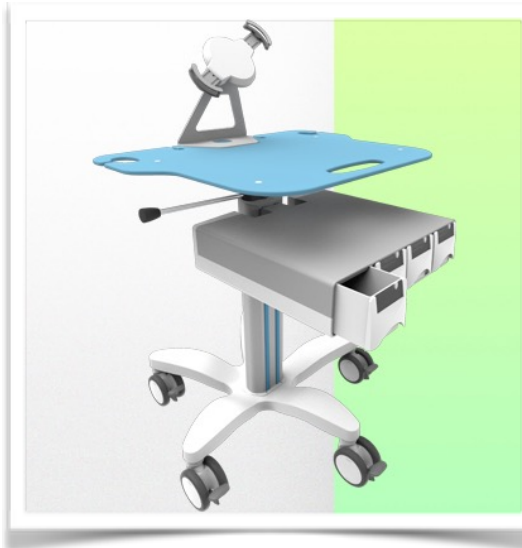


WorkiMed Tablet Pharmacy Medium Cart



This new ergonomically designed medical trolley is height-adjustable by means of a hand lever located below the work surface. The hand lever activates the height adjustment mechanism, allowing the trolley to be raised and lowered from 768 mm to 1108 mm without any effort, simply by pressing the lever. The gas lift on this trolley provides smooth adjustment for all sizes and strengths of users, allowing for maximum comfort when sitting or standing.

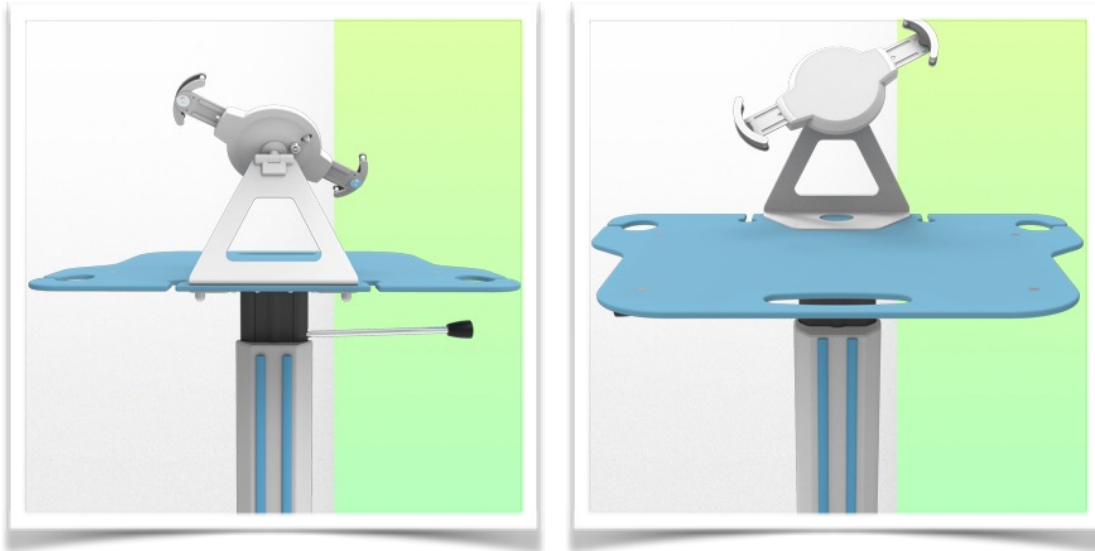
Its lightweight and robust aluminium construction allows the new WorkiMed Tablet Pharmacy Medium Cart to be used for intensive movement without strain. An open architecture provides access points throughout the surface, facilitating connections from the laptop to the keyboard and mouse.

The minimal footprint is also an advantage, measuring only 697mm at the base and 641 x 657mm at the work surface, allowing it to be moved even in tight spaces in the hospital.

The WorkiMed Tablet Pharmacy Medium Cart complies with hospital hygiene standards and can be disinfected down to the last detail, including the wheels, with no rough edges in its design for thorough and easy cleaning to help control infection.

The surface of the worktop is made of hard, shiny and highly impact-resistant acrylic glass. This synthetic material is virtually unbreakable: it is 250 times stronger than glass of the same thickness!

WorkiMed Tablet Pharmacy Medium Cart



This new generation of medical computer trolley is height adjustable for standing or sitting, easy to move and hygienic and is perfect in any patient environment. Laptop security is provided in this new generation of trolleys with an anti-theft bolt system on the right and left side of the tablet holder mechanism. This is compatible with Tablet from 9 to 11".

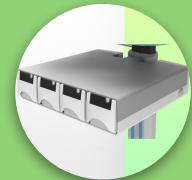
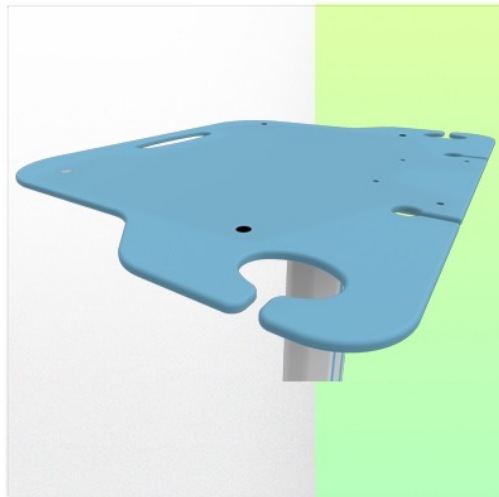
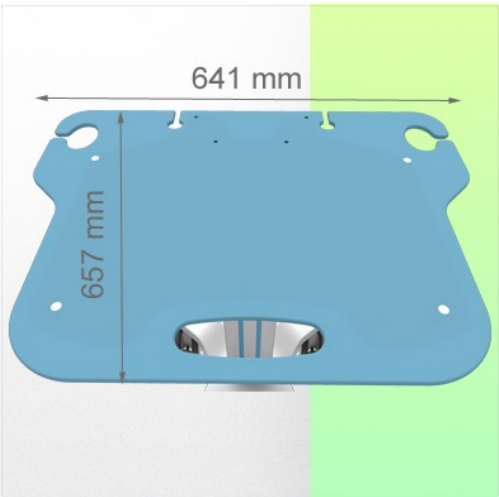
The ergonomics of the work surface has not been forgotten, and the new concept includes a carrying handle and two barcode scanner holders on the left and right. On the back of the worktop there are also two integrated cable holders.

The central column is also equipped with a sliding support to adjust the height of your optional accessories such as a service basket. The new WorkiMed Tablet Pharmacy Medium Cart is equipped with comfortable CE medical anti-static wheels, which can be manoeuvred effortlessly by nursing staff at the point of care. The wheels have a diameter of 100 mm and are all equipped with foot brakes. These wheels allow easy access over bumps and imperfections in the floor.

A wide range of accessories allows this computerised medical trolley to evolve according to the specific needs of the user. The WorkiMed Laptop Pharmacy Cart is equipped with four telescopic drawers with key lock. The interior is separated by partitions to facilitate the distribution of medication.



WorkiMed Tablet Pharmacy Medium Cart



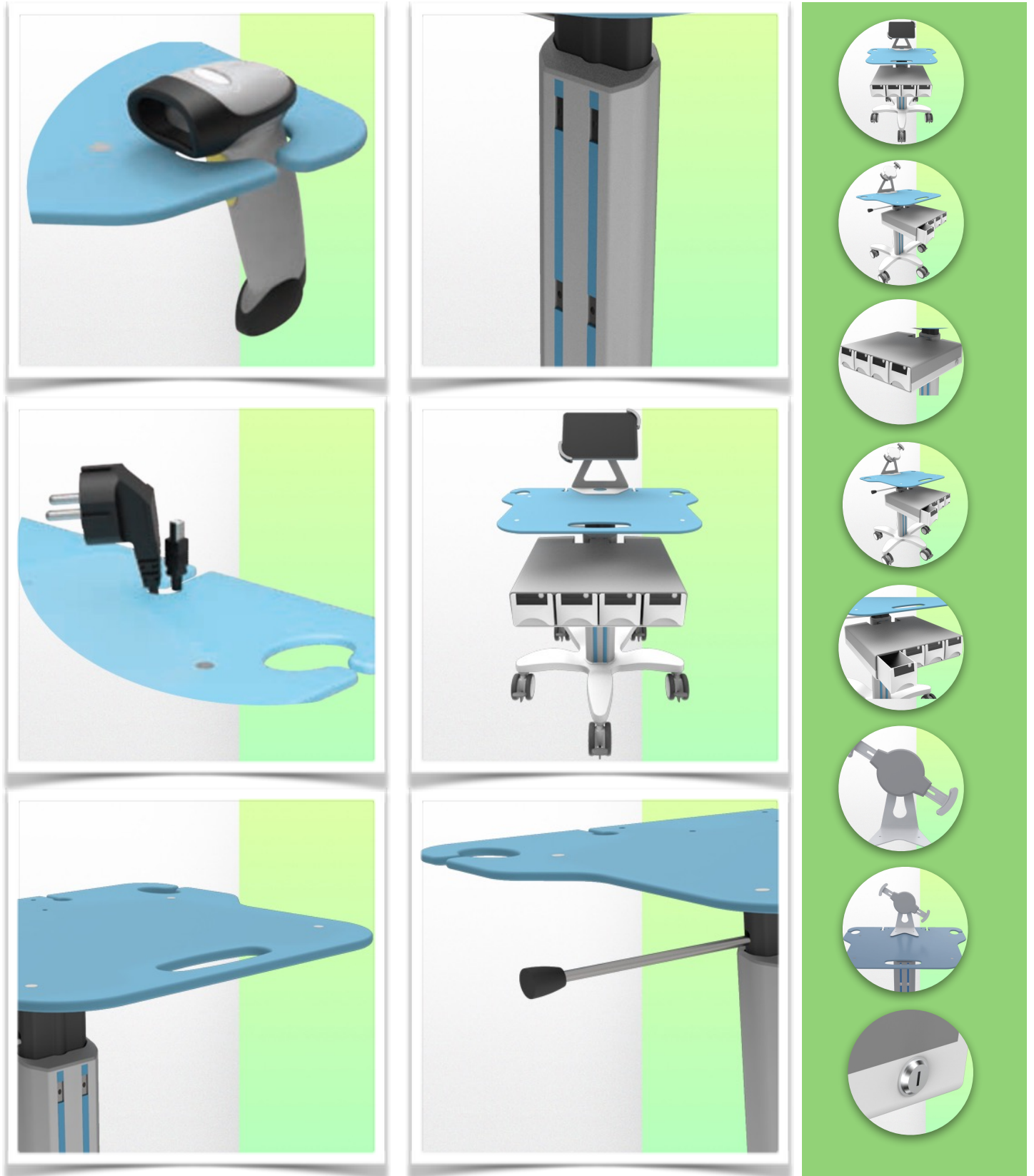


WorkiMed[®]
WORK PLACE TECHNOLOGY

Presentation

Part Number: WM 555.107

WorkiMed Tablet Pharmacy Medium Cart





WorkiMed Tablet Pharmacy Medium Cart



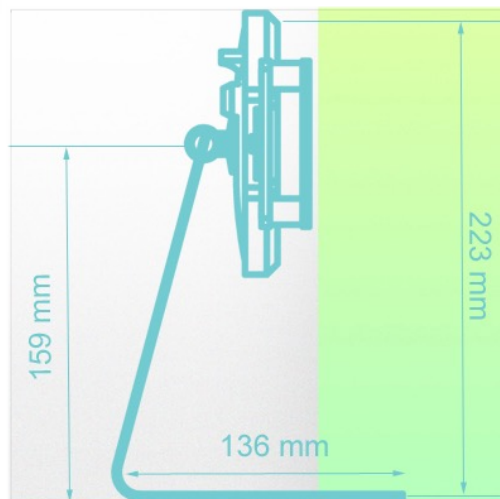
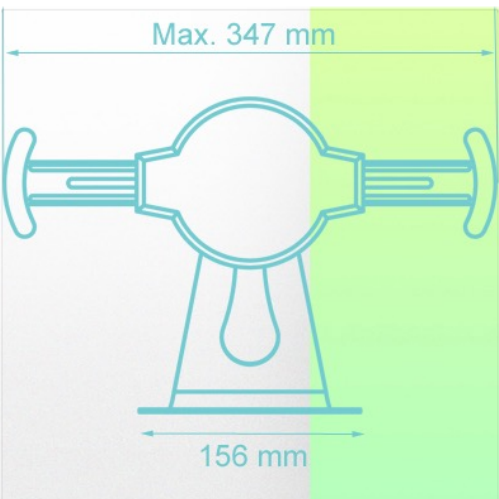
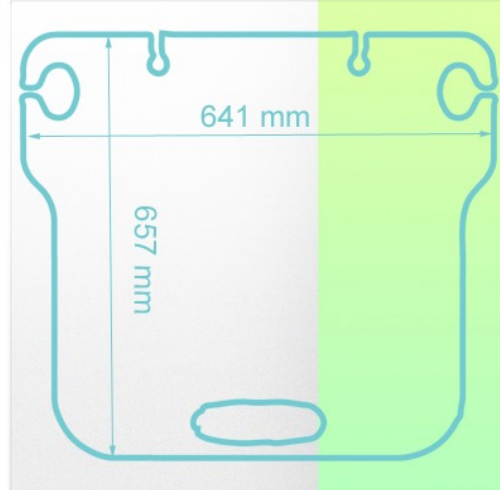
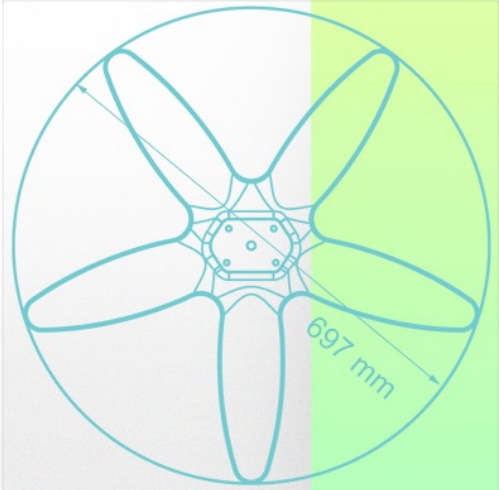


WorkiMed[®]
WORK PLACE TECHNOLOGY

Presentation

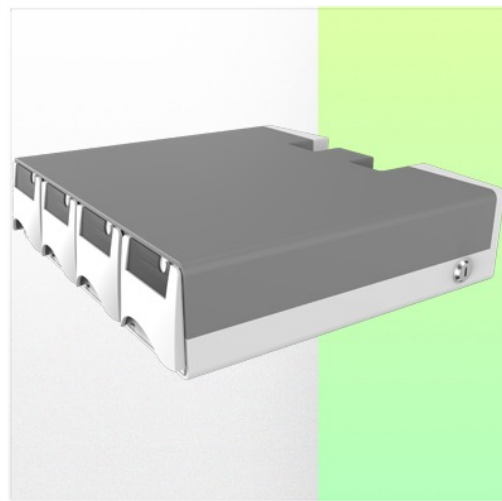
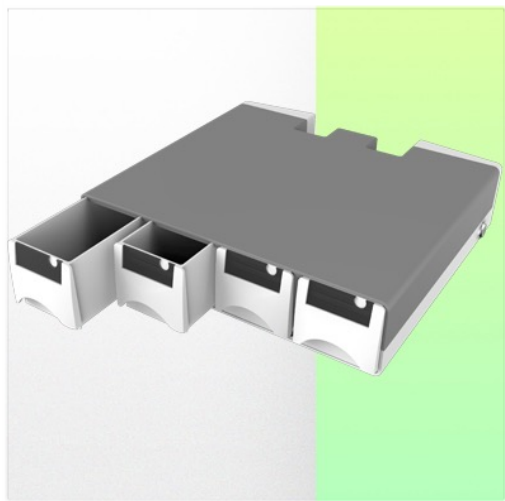
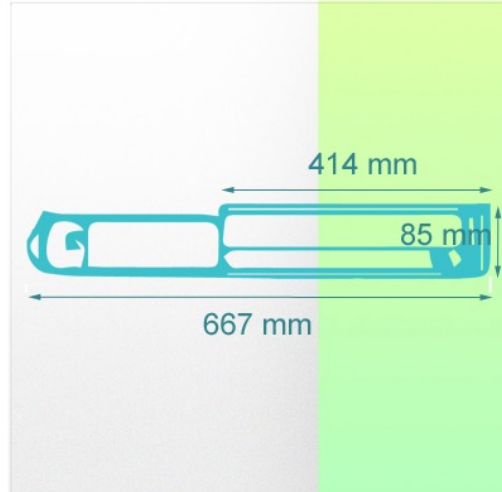
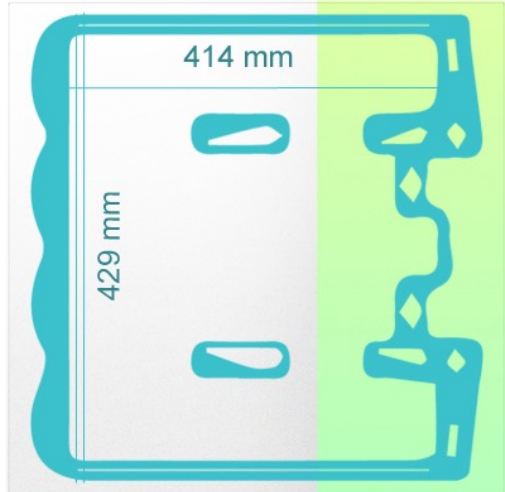
Part Number: WM 555.107

WorkiMed Tablet Pharmacy Medium Cart





WorkiMed Tablet Pharmacy Medium Cart



WorkiMed Tablet Pharmacy Medium Cart

Technical specifications:

- * High position: 1108 mm
 - * Low position: 768 mm
 - * Base diameter: 697 mm Five Branch
 - * Work surface: W 641 mm x D 657 mm
 - * Height adjustment capacity: 350 mm
 - * Wheel construction: Polyamide with polyurethane tread.
 - * Wheels/Lock: 4 locking wheels with brake, 100 mm diameter
 - * Trolley weight: 21 Kg
 - * Loading capacity: 25 Kg
 - * Main assembly: Aluminium
 - * Work surface: Moulded Acrylic
 - * Colour: Ral 9016 White
 - * Secure tablet: 9-11"
 - * 4 Telescopic drawers with key lock, Interior separated by partitions
(Internal dimensions 429 x 414 x 85 mm)
 - * Certificates are in accordance with : IEC60601-1: 2012 (Edition 3)
 - * CE/Rohs compliant
 - * Fully recyclable
 - * 10 year warranty
 - * Optional keyboard and mouse
 - * Wide range of accessories
 - * For quicker and easier cleaning
 - * Simple and lightweight design for easy adjustment from sitting to standing.
 - * Supplied fully assembled with minimal packaging
 - * Made in Europe (MCC John Gough design and development)
- * We can also make custom made trolleys according to your needs and in your hospital colours as an option



WorkiMed Tablet Pharmacy Medium Cart

Cleaning procedure

1. The trolley can be cleaned with most mild, non-abrasive solutions commonly used in hospitals (e.g. dilute bleach, ammonia or alcohol solutions).
2. The surface finish will be permanently damaged by strong chemicals and solvents such as acetone and trichloroethylene.
3. Do not use steel wool or other abrasive materials to clean the mounting assembly.
4. Damage caused by the use of unapproved substances or processes will not be covered by the warranty. We recommend that you test any cleaning solution on a small area that is not visible to check for compatibility.
5. Immediately wipe off any cleaning agent on the arm with a cloth dampened with water.
6. Dry the trolley thoroughly after cleaning.

CAUTION: WorkiWay SRL makes no claims regarding the effectiveness of the chemicals or processes listed as a means of infection control.

Consult your hospital infection control officer or epidemiologist. To clean or sterilize mounted instruments or accessories, refer to the specific instructions provided with those products.

