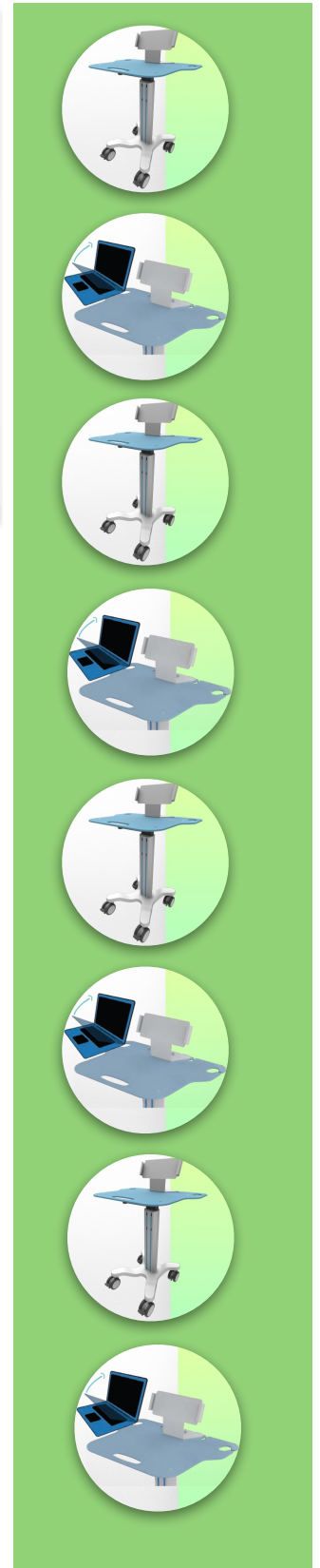
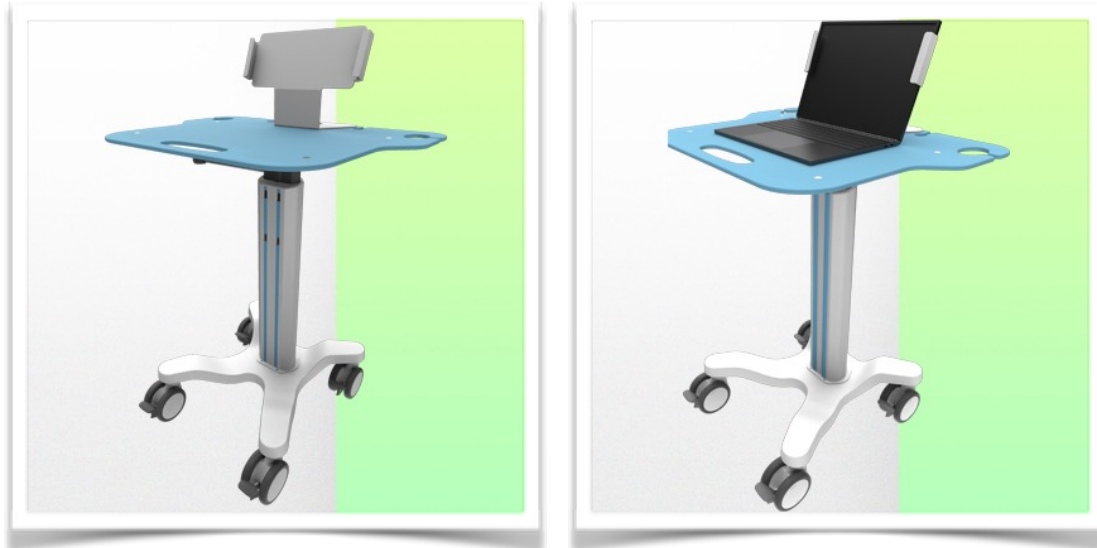


WorkiMed Mini Laptop Cart



This new ergonomically designed medical trolley is height-adjustable by means of a hand lever located underneath the work surface. The hand lever activates the height adjustment mechanism, allowing the trolley to be raised and lowered from 770 mm to 1120 mm without any effort, simply by pressing the lever. The gas lift on this trolley provides smooth adjustment for all sizes and strengths of users, allowing for maximum comfort when sitting or standing.

Its light weight and robust aluminium construction allows the new WorkiMed Laptop Mini Cart to be used for intensive movement without strain.

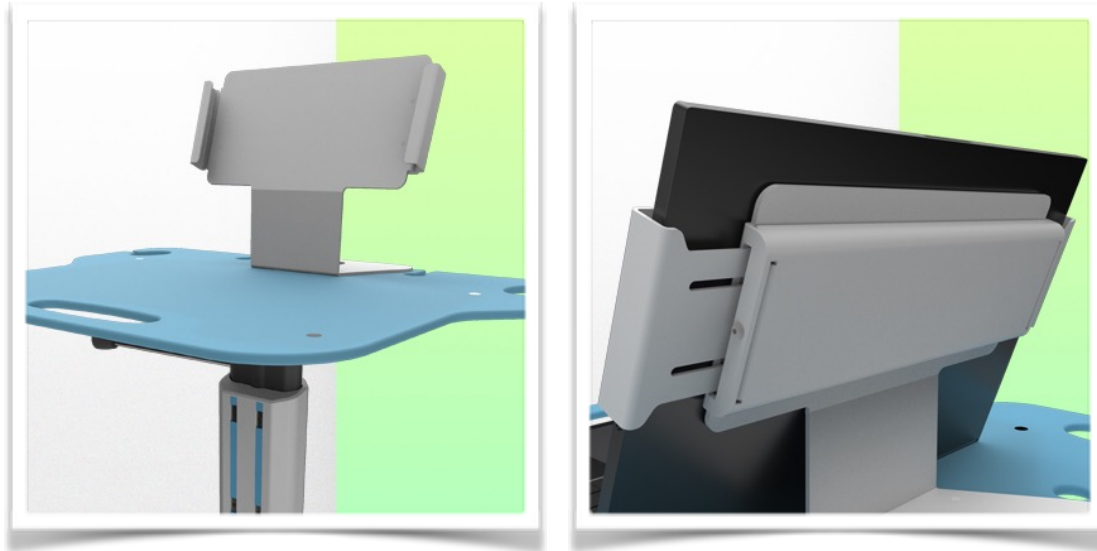
An open architecture that provides access points all over the surface, making it easy to connect the laptop to the keyboard and mouse.

The minimal footprint is also an advantage, measuring only 616mm at the base and 660 x 500mm at the work surface, allowing it to be moved around even in tight spaces in the hospital.

The WorkiMed Laptop Mini Cart complies with hospital hygiene standards and can be disinfected down to the last detail, including the wheels, with no rough edges in its design for thorough and easy cleaning to help control infections.

The surface of the worktop is made of hard, shiny and highly impact-resistant acrylic glass. This synthetic material is virtually unbreakable: it is 250 times stronger than glass of the same thickness!

WorkiMed Mini Laptop Cart



This new generation of medical computer trolley is height adjustable for standing or sitting, easy to move and hygienic and is perfect in any patient environment.

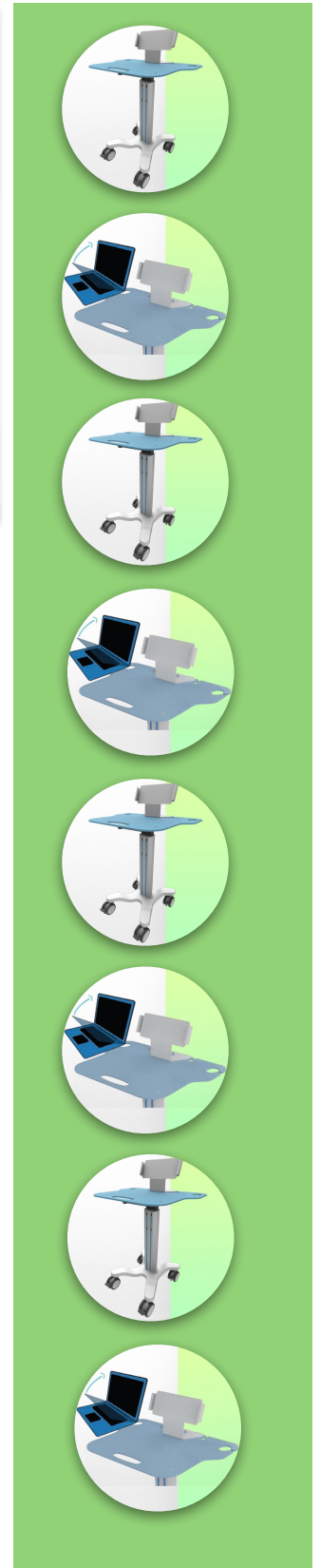
Laptop security is provided in this new generation of trolleys with an anti-theft bolt system on the right and left side of the laptop holder mechanism. This is compatible with laptops from 12 to 19".

The ergonomics of the work surface has not been forgotten, and the new concept includes a carrying handle and two barcode scanner holders on the left and right. On the back of the worktop there are also two integrated cable holders.

The central column is also equipped with a sliding support to adjust the height of your optional accessories such as a service basket.

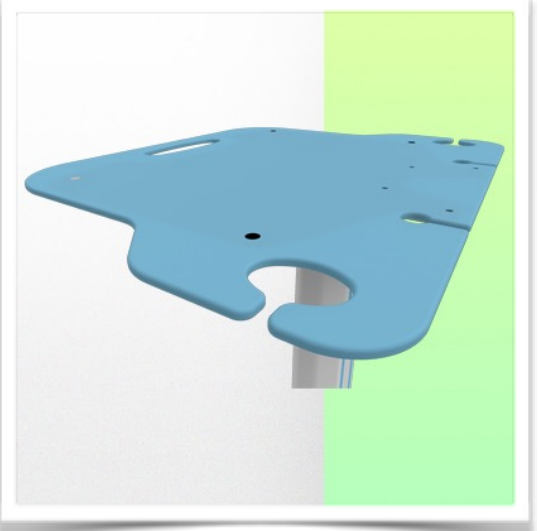
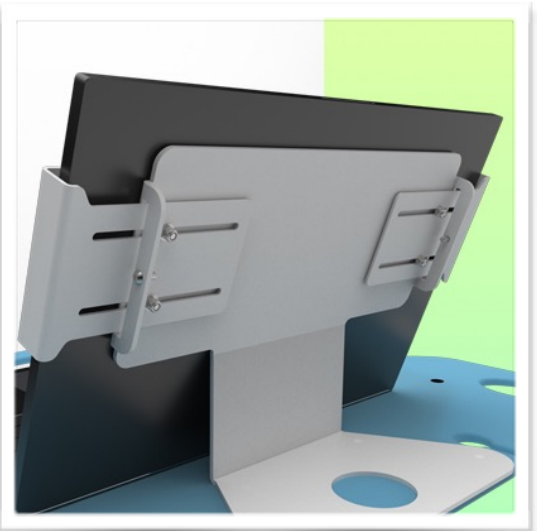
The new WorkiMed Laptop Mini Cart is equipped with comfortable, anti-static CE medical wheels, which can be manoeuvred effortlessly by nursing staff at the point of care. The wheels have a diameter of 100 mm and are all equipped with foot brakes. These wheels allow for easy manoeuvring over bumps and imperfections in the floor.

A wide range of accessories allows this computerised medical trolley to evolve according to the specific needs of the user.





WorkiMed Mini Laptop Cart





WorkiMed[®]
WORK PLACE TECHNOLOGY

Presentation

Part Number: WM 555.100

WorkiMed Mini Laptop Cart





WorkiMed[®]
WORK PLACE TECHNOLOGY

Presentation

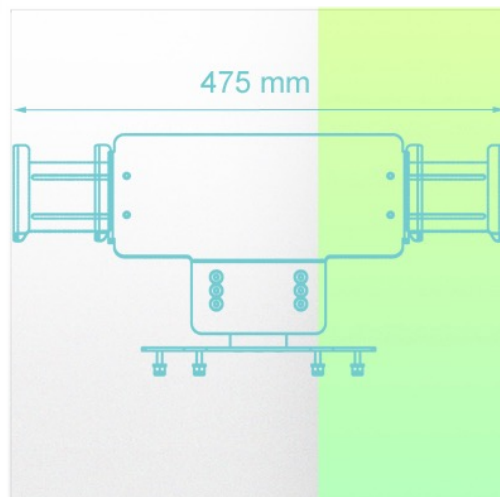
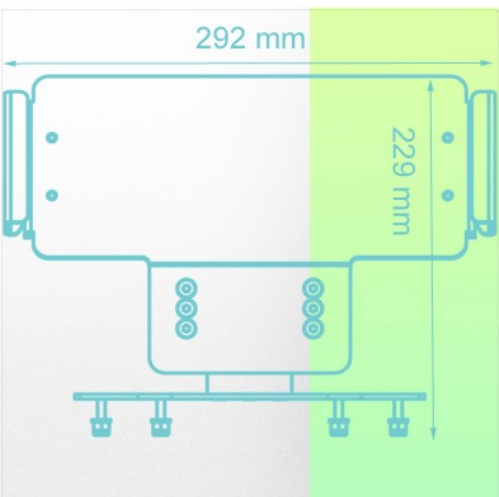
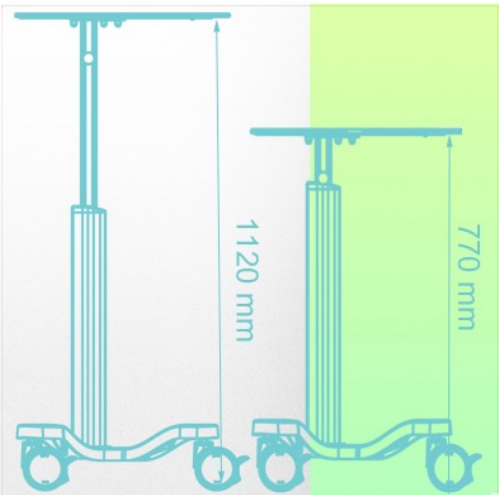
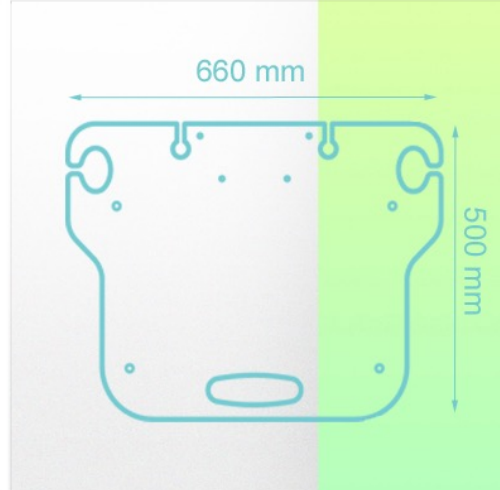
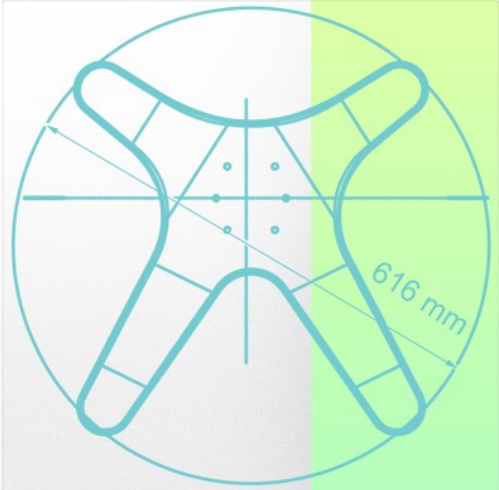
Part Number: WM 555.100

WorkiMed Mini Laptop Cart





WorkiMed Mini Laptop Cart



WorkiMed Mini Laptop Cart

Technical specifications:

- * High position: 1120 mm
 - * Low position: 770 mm
 - * Base diameter: 616 mm four legs
 - * Work surface: W 660 mm x D 500 mm
 - * Height adjustment capacity: 350 mm
 - * Wheel construction: Polyamide with polyurethane tread.
 - * Wheels/Lock: 4 locking wheels with brake, 100 mm diameter
 - * Trolley weight: 18 Kg
 - * Loading capacity: 25 Kg
 - * Main assembly: Aluminium
 - * Work surface: Moulded Acrylic
 - * Colour: Ral 9016 White
 - * Secure laptop: 12-19"
 - * Certificates comply with : IEC60601-1: 2012 (Edition 3)
 - * CE/Rohs compliant
 - * Fully recyclable
 - * 10 year warranty
 - * Optional keyboard and mouse
 - * Wide range of accessories
 - * For quicker and easier cleaning
 - * Simple and lightweight design for easy adjustment from sitting to standing.
 - * Supplied fully assembled with minimal packaging
 - * Made in Europe (MCC John Gough design and development)
- * We can also produce custom-made trolleys according to your needs and the colour of your hospital as an option



WorkiMed Mini Laptop Cart

Cleaning procedure

1. The trolley can be cleaned with most mild, non-abrasive solutions commonly used in hospitals (e.g. dilute bleach, ammonia or alcohol solutions).
2. The surface finish will be permanently damaged by strong chemicals and solvents such as acetone and trichloroethylene.
3. Do not use steel wool or other abrasive materials to clean the mounting assembly.
4. Damage caused by the use of unapproved substances or processes will not be covered by the warranty. We recommend that you test any cleaning solution on a small area that is not visible to check for compatibility.
5. Immediately wipe off any cleaning agent on the arm with a cloth dampened with water.
6. Dry the trolley thoroughly after cleaning.

CAUTION: WorkiWay SRL makes no claims regarding the efficacy of the chemicals or processes listed as a means of infection control.

Consult your hospital infection control officer or epidemiologist. To clean or sterilize mounted instruments or accessories, refer to the specific instructions provided with those products.

